

Pinball ADVENTURES

UNPACKING A PINBALL ADVENTURES GAME

Tools Required:

- Safety Glasses
- Utility Knife
- Ratchet and 5/8" socket (or 5/8" wrench)

1. Set the box upright with the "FORKLIFT THIS SIDE ONLY" label facing towards you (Fig. 1a).

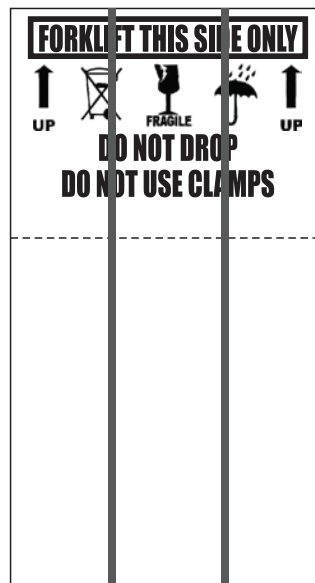


Fig. 1a The "FORKLIFT THIS SIDE ONLY" side of the box

2. Wearing safety glasses, cut the shipping bands off the box with a utility knife, then carefully lift off the top section of the box (Fig. 1b). Then remove the leg box and check for the following:

Loose Parts List:

- | | |
|----------------------------------------------------------|------------------------------------------------------------|
| <input checked="" type="checkbox"/> Manual | <input checked="" type="checkbox"/> 4 Pinball Legs |
| <input checked="" type="checkbox"/> 8 Leg Bolts | <input checked="" type="checkbox"/> Power Cord |
| <input checked="" type="checkbox"/> Plumb Tilt Bob | <input checked="" type="checkbox"/> Allen Key |
| <input checked="" type="checkbox"/> Topper (if provided) | <input checked="" type="checkbox"/> Pinballs |
| <input checked="" type="checkbox"/> Felt Protectors | <input checked="" type="checkbox"/> Free Gift |
| <input checked="" type="checkbox"/> Bubble Level | <input checked="" type="checkbox"/> Pinball Level Template |

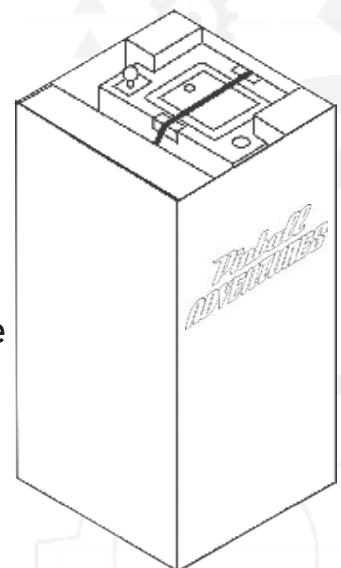


Fig. 1b Opening the shipping box

****Please note loose parts may vary from game to game.****

3. Carefully tip the box onto its side with “FORKLIFT THIS SIDE ONLY” facing the floor.

IMPORTANT: Do NOT cut the nylon strap. Instead, use the strap to slide the machine out from the box (Fig. 2). You can now recycle your shipping box.

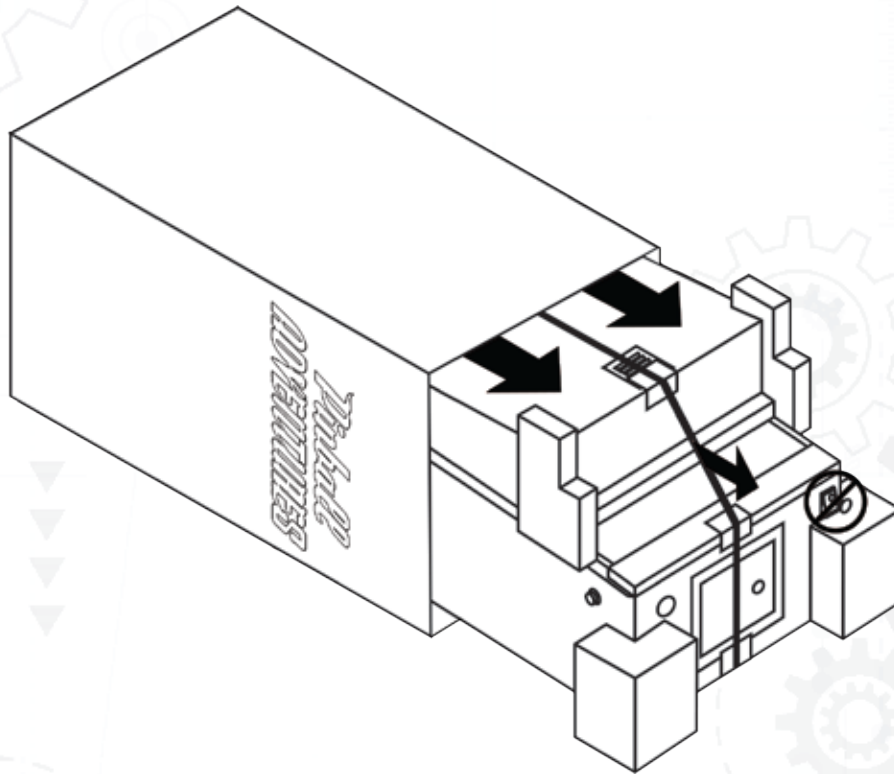


Fig. 2 Sliding the game out of the box

4. Locate all four pinball legs, adjustable tightening nuts, and table feet.
 - a. For the front feet, adjust the tightening nuts all the way to the end of each foot
 - b. For the rear feet, adjust the nut to two thirds of the way to the end
 - c. Thread each foot into each leg until the tightening nut prevents it from going farther (Fig. 3)

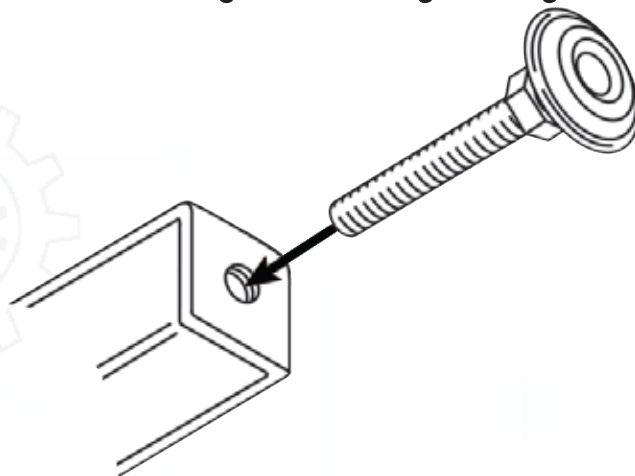


Fig. 3 Adjusting a leg leveler and tightening nut

5. Locate the four felt cabinet protectors and leg bolts from the loose parts (Fig. 4).

IMPORTANT: Do **NOT** rest the machine on its side, or flip the machine upside down to install the legs. To avoid damage to the cabinet head or glass, the legs must be installed in two phases, and not all at once.

6. Tip the cabinet body onto its rear so the coin door faces upward, then install the front legs

- a. For each leg, sandwich a protector between the leg and the cabinet
- b. Thread both leg bolts on each leg to secure it to the cabinet (Fig. 4)
- c. Tighten each bolt firmly using a 5/8" socket or ratchet

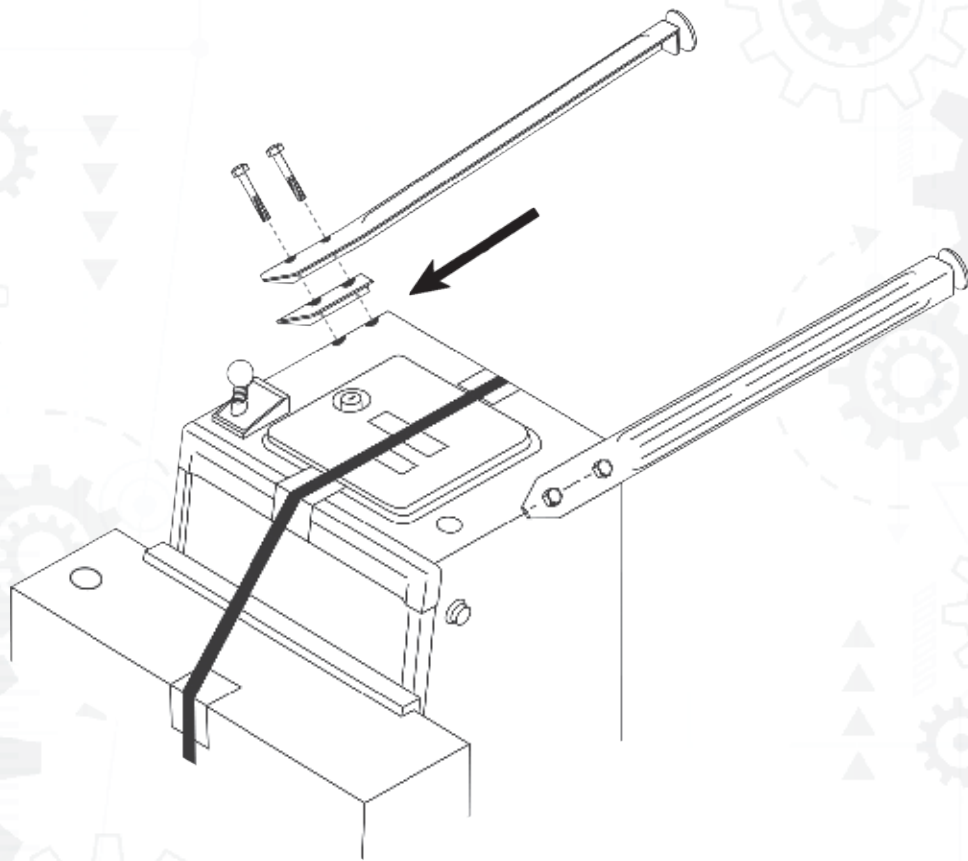


Fig. 4 Installing the front legs and cabinet protectors

- 7 With the help of at least one other person, carefully stand the cabinet body onto its front legs. Keep the rear cabinet body elevated and install the rear legs (Fig. 5).

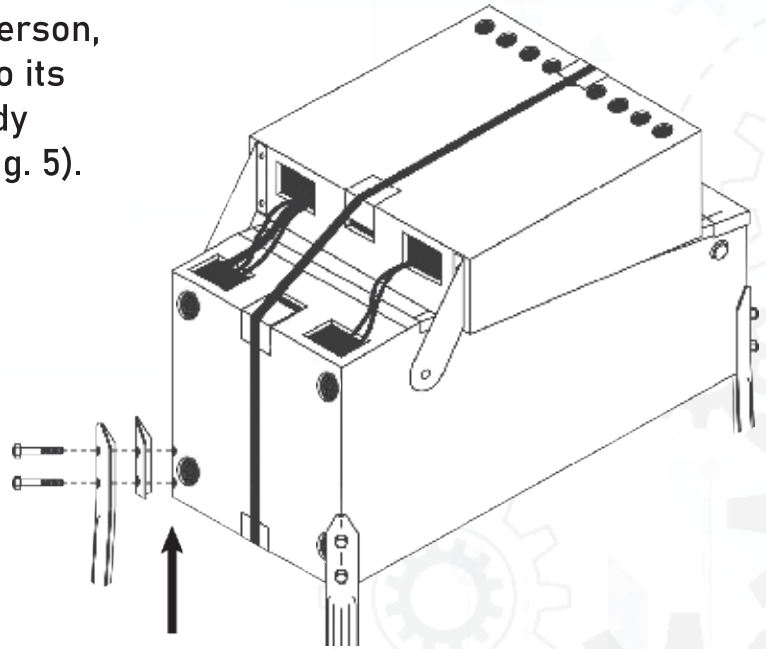


Fig. 5 Elevating rear cabinet and installing rear legs

8. With a utility knife, cut and remove the nylon strap and remainder of the packing material holding the cabinet head and body together. Then raise the cabinet head to its upright position. (Fig. 6).

IMPORTANT: Ensure that the cables and wires in the neck of the game do not get pinched at any time during the process.

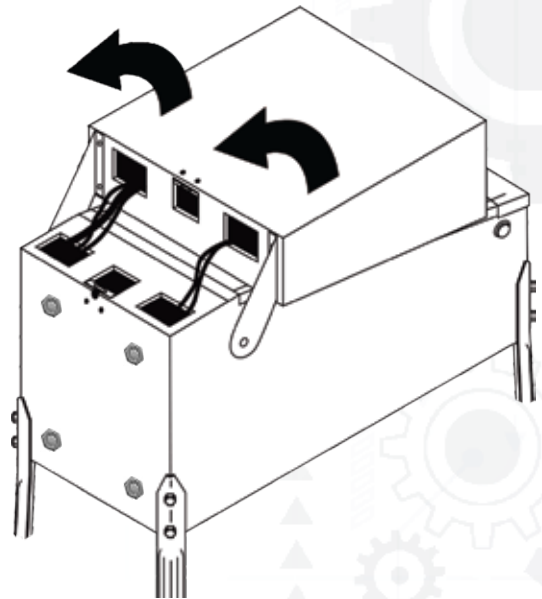


Fig. 6 Raising the cabinet head to its upright position

9. Using the large allen key, lock the cabinet head in its upright position to prevent it from falling down (Fig. 7).

Note: When the coffin lock is in the fully locked position, the key will not turn any further in the clockwise direction.

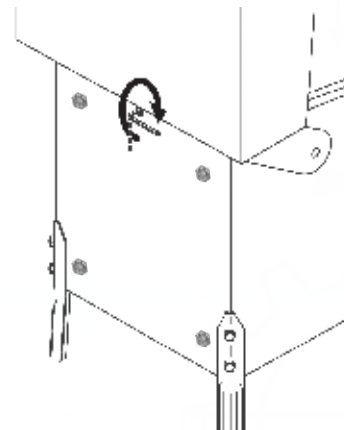
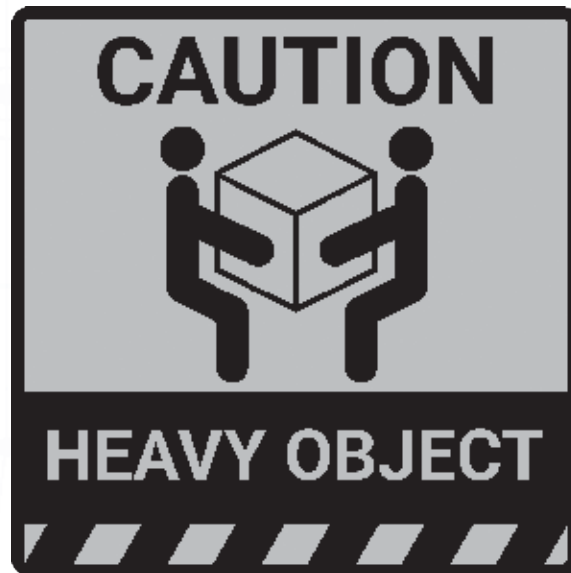


Fig. 7 Locking the backbox in the upright position

10. Install the head bolts that are recommended for additional support.

IMPORTANT: Do **NOT** slide the game. With at least one other person, lift the game instead and move the game to its intended location.



11. With a pair of wire cutters, free the coin door keys attached to the ball shooter rod located at the front right of the cabinet.

12. Remove the playfield glass:

- ① Open the coin door
- ② Slide the yellow lockdown bar lever to the left
- ③ Lift the lockdown bar straight up and out
- ④ **IMPORTANT:** Close and lock the coin door
- ⑤ Slide playfield glass off of the front of the cabinet (Fig. 8)
- ⑥ **IMPORTANT:** Tempered glass is known to shatter when placed on hard surface

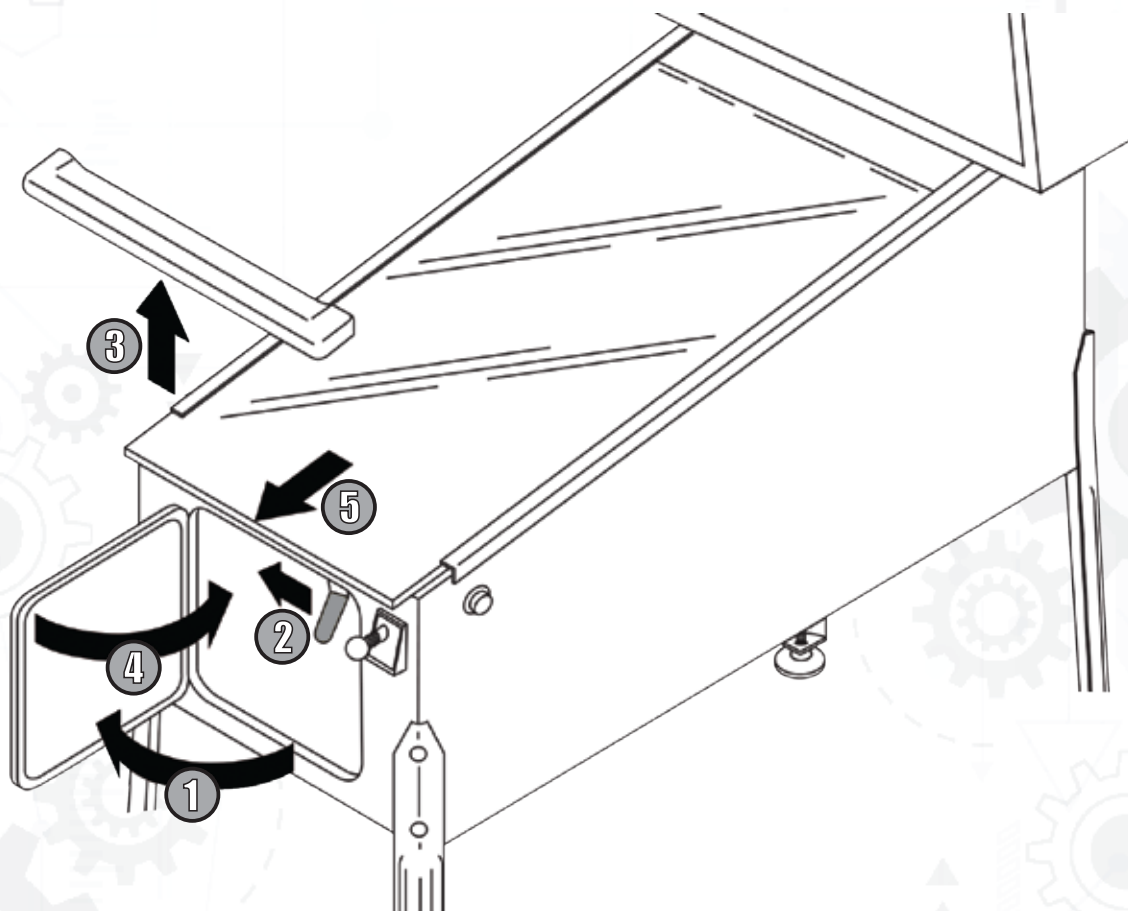


Fig. 8 Removing the playfield glass

13. Locate the pinballs from the loose parts box: load the balls into the trough, allow each ball to drain to the base of the playfield past the flippers.
14. Level the playfield surface side-to-side using the bubble level and Pinball Level Template provided. Adjust the height of the machine by tightening or loosening the nuts on each leg.

15. Locate the plumb bob weight, tilt hanger, and wing nut from the loose parts (Fig. 9).



Fig. 9 Assembling plumb bob tilt mechanism

16. Hang the tilt hanger from the contact bracket mounted on the lower left inside wall of the cabinet body (Fig. 9). Then slide the weight onto the straight end of the hanger wire and thread the wing nut onto the shaft underneath it (Fig. 9).
17. Locate the power cord from the loose parts. Then plug the power cord into the socket located on the underside and at the rear of the cabinet body.
18. Power up the game, by switching the ON/OFF rocker switch that is located underneath the cabinet, just behind the right front leg. Wait for the game to boot, then test the game for proper operation and adjust the game settings as desired.
19. Reinstall the playfield glass and lockdown bar in the cabinet and your game is ready to play!

20. Lifting up the playfield to service your game (Fig. 10a, Fig. 10b & Fig. 10c).

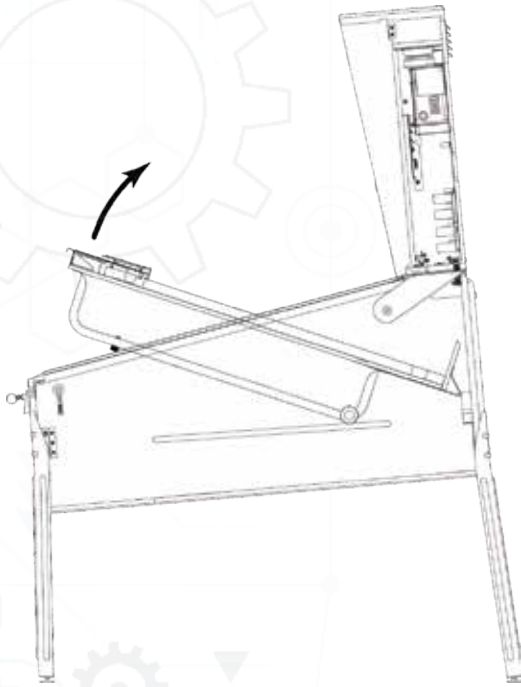


Fig. 10a Lifting the playfield upward

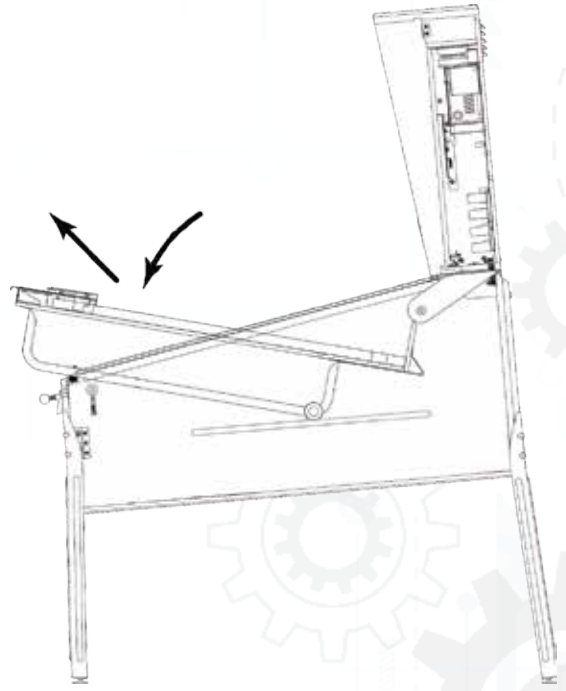


Fig. 10b Moving the playfield to position 2

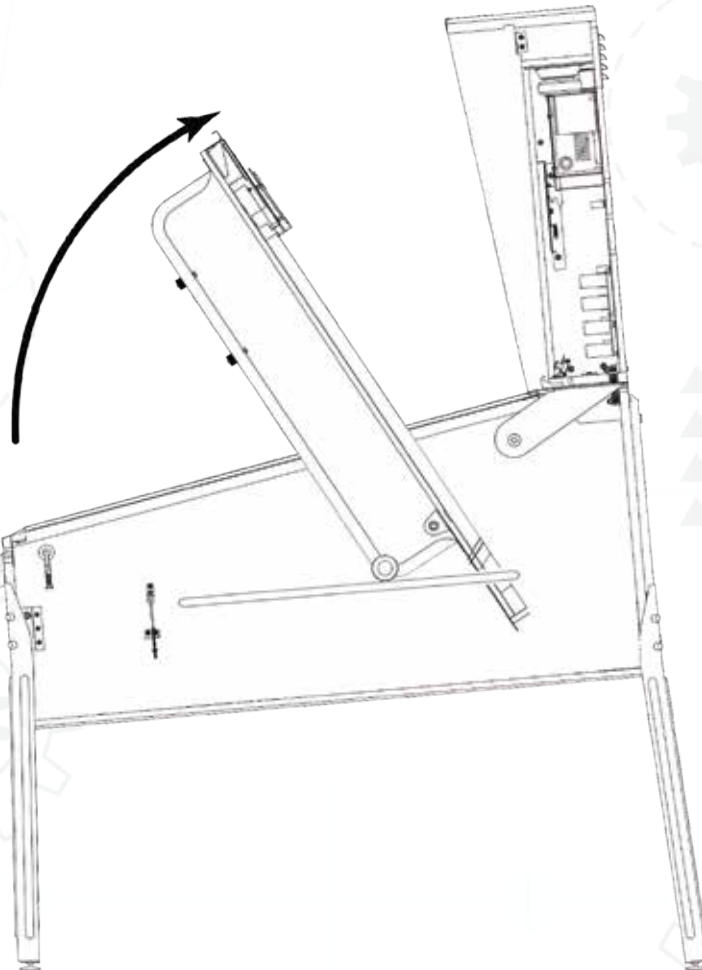
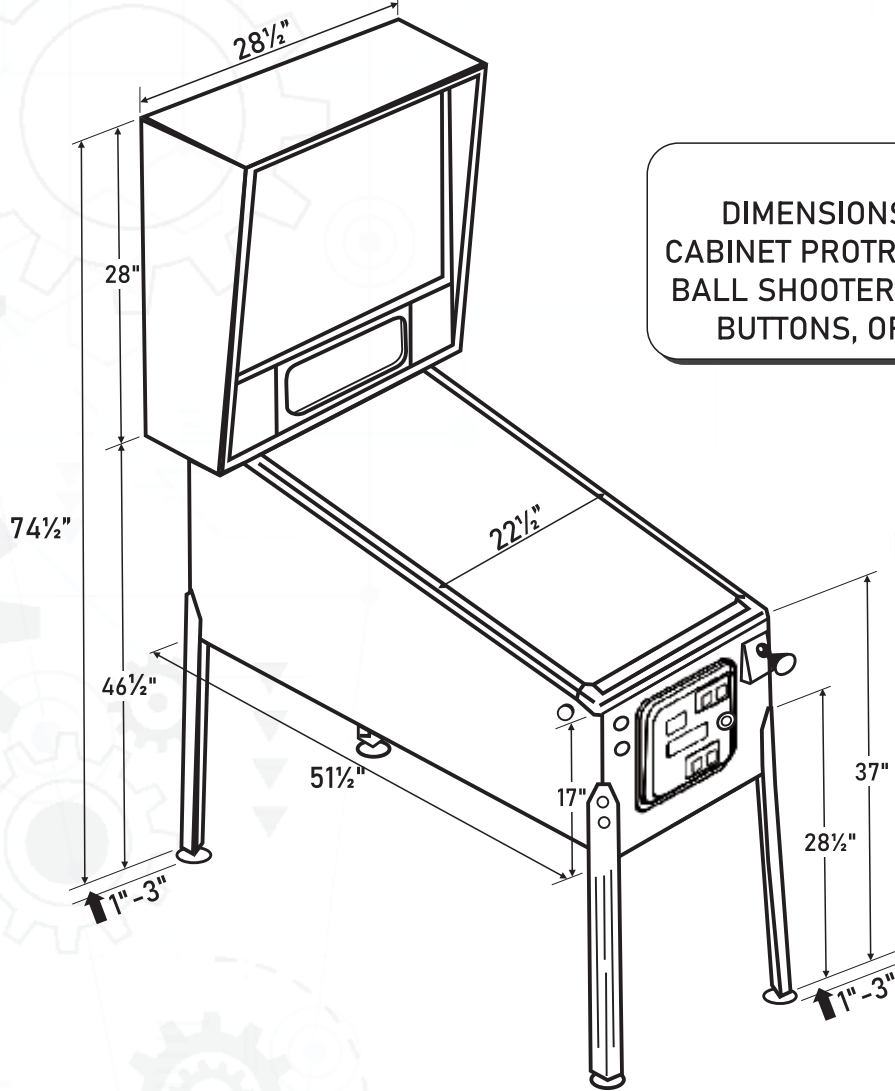


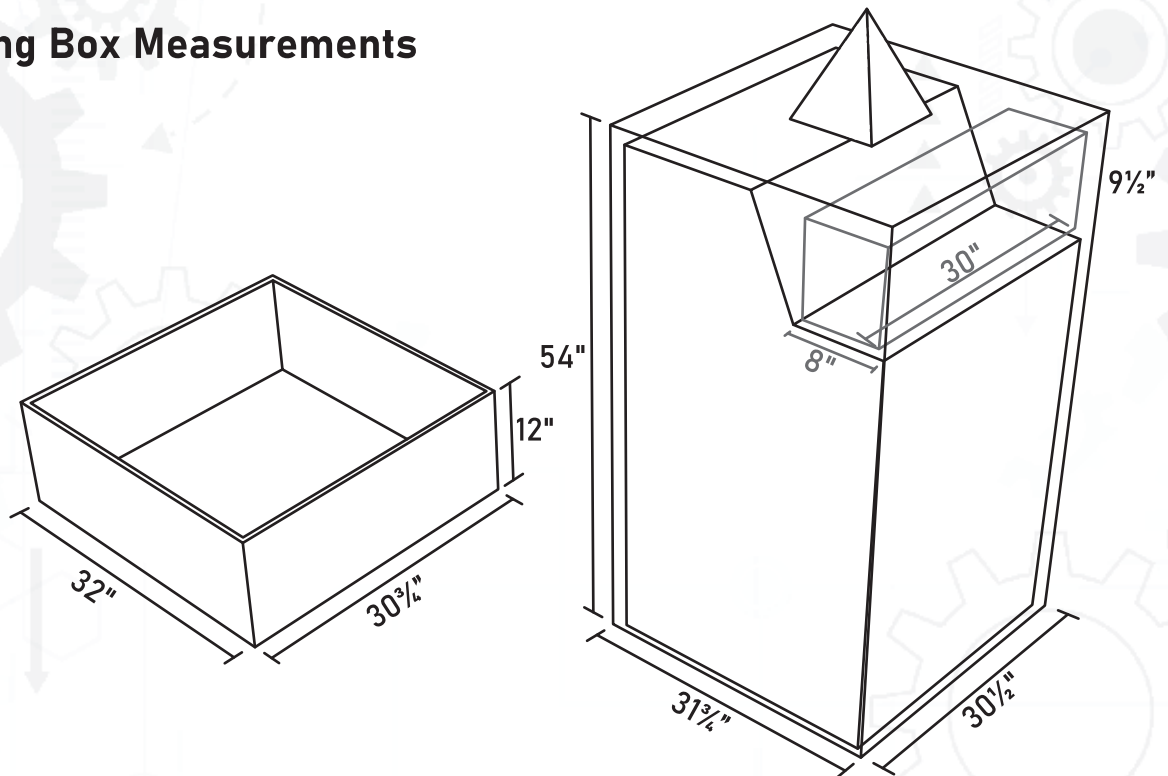
Fig. 10c Moving the playfield into secure position 3
Lift and insert support rod into cage bracket

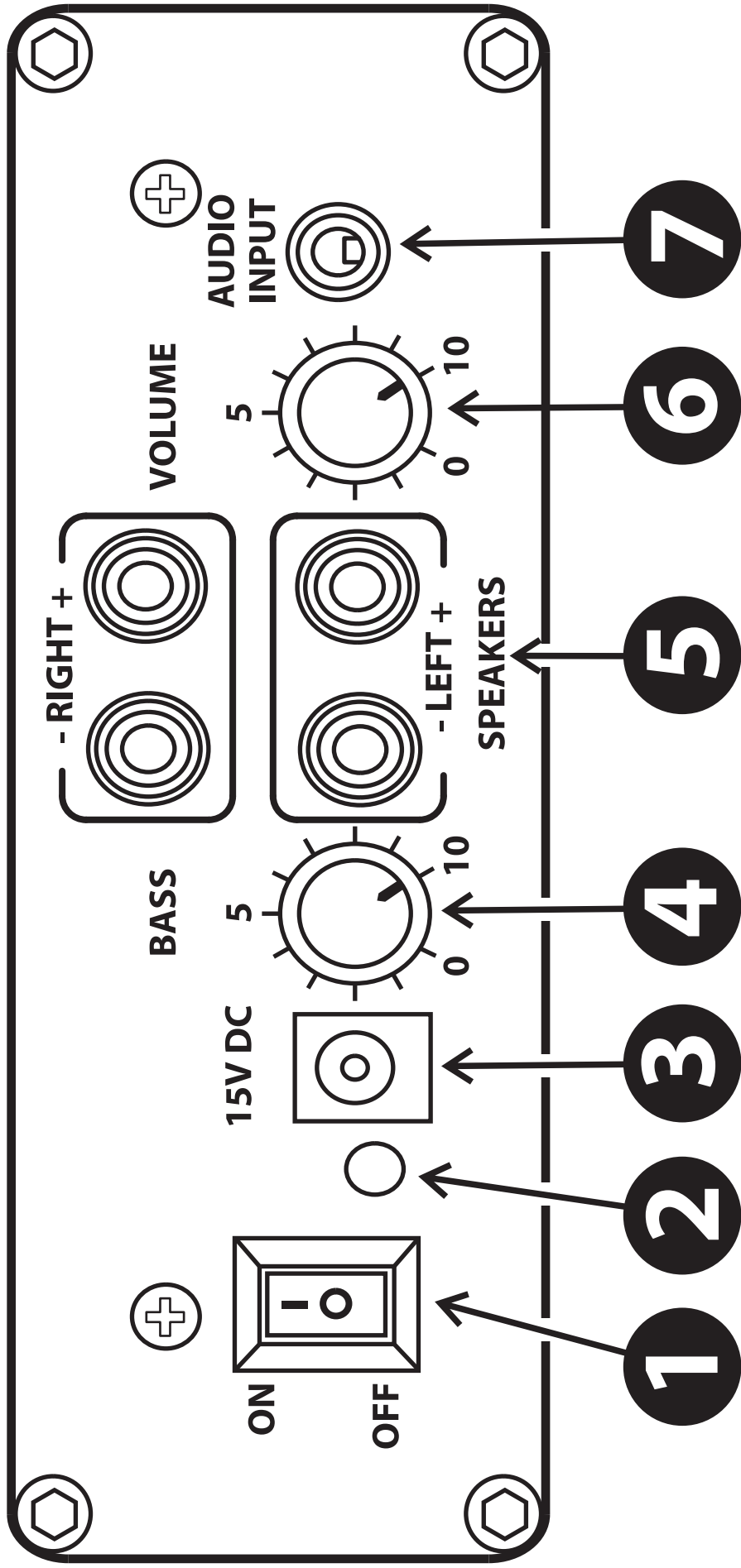
Game Measurements



NOTE:
DIMENSIONS DO NOT INCLUDE
CABINET PROTRUSIONS, SUCH AS THE
BALL SHOOTER, COIN DOOR, FLIPPER
BUTTONS, OR BACKBOX LATCH.

Shipping Box Measurements





Controls and Connections

1. Power Switch
2. Led Indicator
3. Power Input
4. Bass Adjustment
5. Binding Posts
6. Volume Control
7. Audio Input

NOTE: Grill is removable, non-see-through cloth